



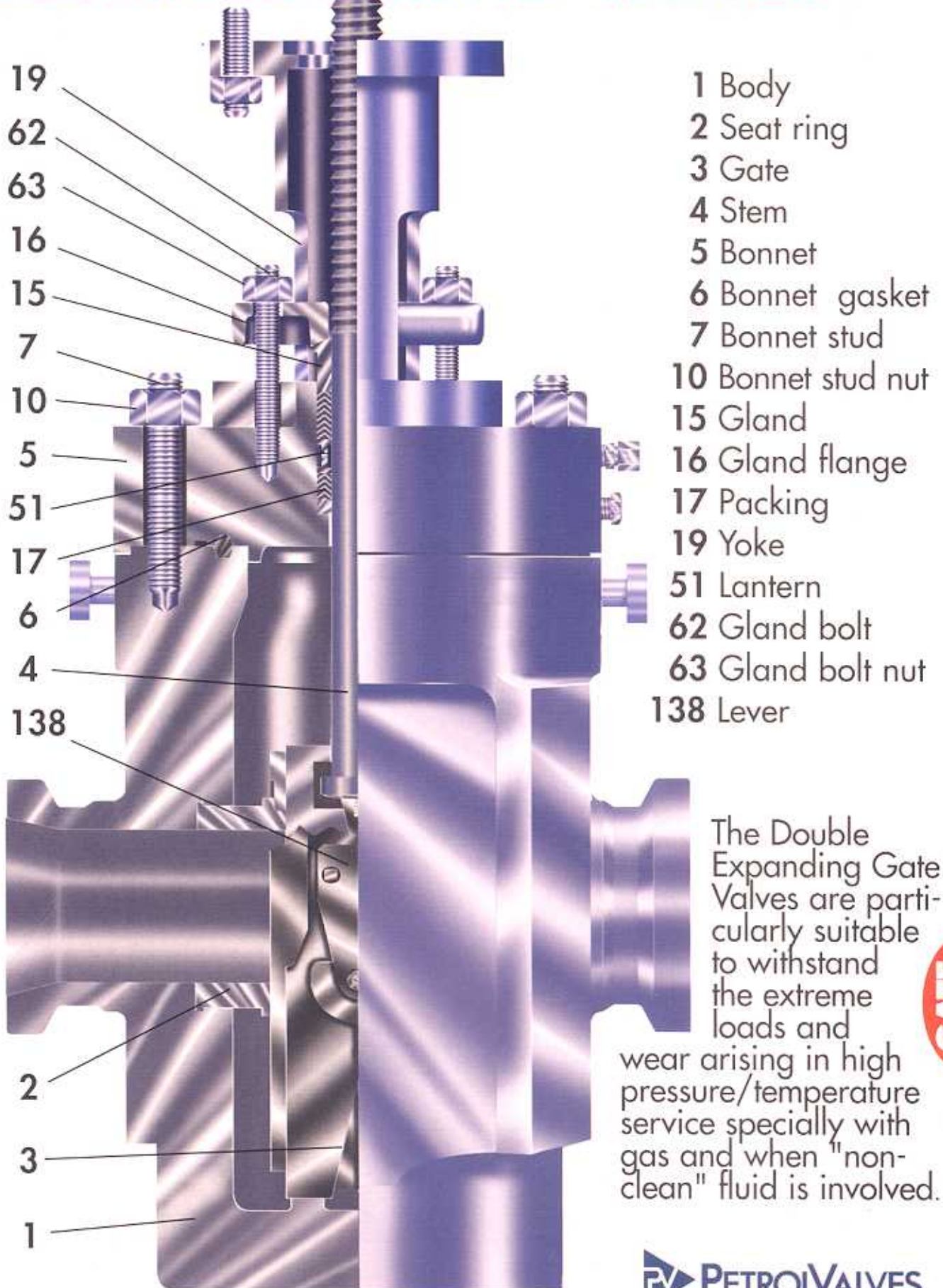
PETROL VALVES

**HP
HT**

**BALL
GATE &
CHECK
VALVES**



THROUGH CONDUIT-DOUBLE EXPANDING GATE VALVES



- 19
- 62
- 63
- 16
- 15
- 7
- 10
- 5
- 51
- 17
- 6
- 4
- 138
- 2
- 3
- 1

- 1 Body
- 2 Seat ring
- 3 Gate
- 4 Stem
- 5 Bonnet
- 6 Bonnet gasket
- 7 Bonnet stud
- 10 Bonnet stud nut
- 15 Gland
- 16 Gland flange
- 17 Packing
- 19 Yoke
- 51 Lantern
- 62 Gland bolt
- 63 Gland bolt nut
- 138 Lever

The Double Expanding Gate Valves are particularly suitable to withstand the extreme loads and wear arising in high pressure/temperature service specially with gas and when "non-clean" fluid is involved.

GATE

GATE-API DOUBLE EXPANDING

THROUGH- CONDUIT

PETROLVALVES Double Expanding Gate Valves

Is the most reliable way to
achieve a full isolation
between two sections
of a line



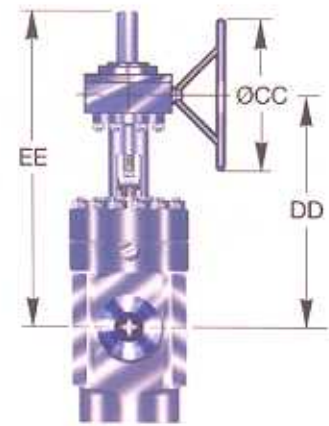
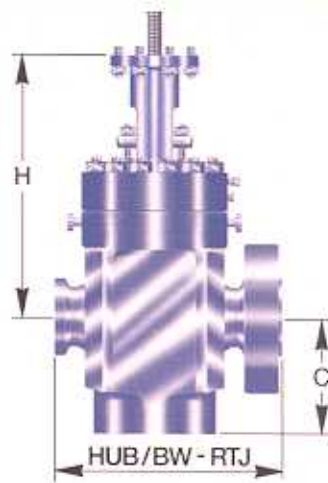
FULL BORE

10.000 psi

SIZE	RTJ	HUB/BW	C	H	ØCC	DD	FF
1"13/16	406	406	165	500	500	590	810
2"1/16	435	435	185	560	500	650	840
2"9/16	480	480	205	625	500	715	900
3"1/16	508	508	240	685	600	790	1020
4"1/16	670	670	320	860	600	970	1160
5"1/8	835	835	400	1040	600	1140	1400
7"1/16	889	889	480	1215	600	1780	1940
9"	1016	1016	570	1400	800	2000	2100
11"	1219	1219	620	1600	800	2160	2200
13"5/8	1444	*	*	*	*	*	*
16"3/4	1674	*	*	*	*	*	*
18"3/4	2007	*	*	*	*	*	*
21"1/4	*	*	*	*	*	*	*

* Dimensions available upon request
Dimensions in mm.

6A



FULL BORE

15.000 psi

SIZE	RTJ	HUB/BW	C	H	ØCC	DD	EE
1"13/16	457	457	175	540	500	610	815
2"1/16	483	483	185	600	600	670	870
2"9/16	533	533	220	710	600	770	920
3"1/16	598	598	265	780	600	830	980
4"1/16	737	737	430	1090	800	1180	1250
5"1/8	*	*	*	*	*	*	*
7"1/16	*	*	*	*	*	*	*
9"	*	*	*	*	*	*	*
11"	*	*	*	*	*	*	*
13"5/8	*	*	*	*	*	*	*
16"3/4	*	*	*	*	*	*	*
18"3/4	*	*	*	*	*	*	*
21"1/4	*	*	*	*	*	*	*

FULL BORE

20.000 psi

SIZE	RTJ	HUB/BW	C	H	ØCC	DD	EE
1"13/16	533	533	-	620	600	690	820
2"1/16	584	584	-	695	600	750	900
2"9/16	673	673	-	730	800	785	1100
3"1/16	775	775	-	800	800	850	1250
4"1/16	889	889	-	880	800	970	1450
5"1/8	*	*	*	*	*	*	*
7"1/16	*	*	*	*	*	*	*
9"	*	*	*	*	*	*	*
11"	*	*	*	*	*	*	*
13"5/8	*	*	*	*	*	*	*
16"3/4	*	*	*	*	*	*	*
18"3/4	*	*	*	*	*	*	*
21"1/4	*	*	*	*	*	*	*

* Dimensions available upon request
 Dimensions in mm.

GATE

API 6A GATE VALVES

10.000 psi

up to

20.000 psi

METAL to METAL

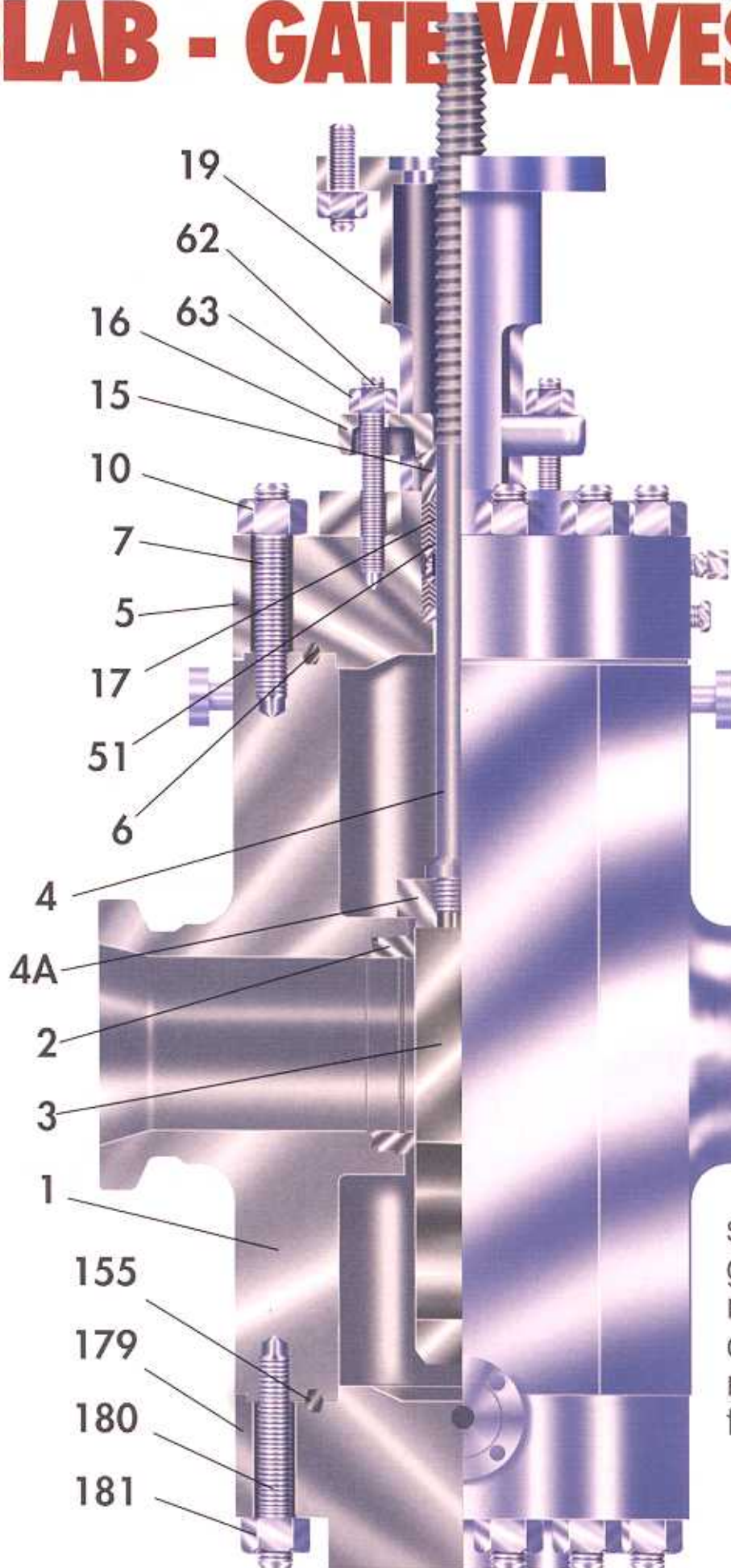
HARDFACINGS:
Stellite

Chromium or
Tungsten carbides

Colmonoy



THROUGH CONDUIT SLAB - GATE VALVES



- 1 Body
- 2 Seat ring
- 3 Gate
- 4 Stem
- 4A Stem head
- 5 Bonnet
- 6 Bonnet gasket
- 7 Bonnet stud
- 10 Bonnet stud nut
- 15 Gland
- 16 Gland plate
- 17 Packing
- 19 Yoke
- 51 Lantern
- 62 Gland bolt
- 63 Gland bolt nut
- 155 Gasket
- 179 Bottom cover
- 180 Stud bolt
- 181 Stud bolt

Double block bleed and tight shut-off valves that guarantee high reliability and long life of seat surface with real through conduit features

GATE

GATE-API SLAB

THROUGH- CONDUIT



PETROLVALVES Slab Gate Valves

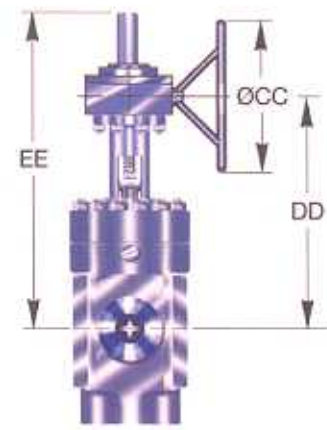
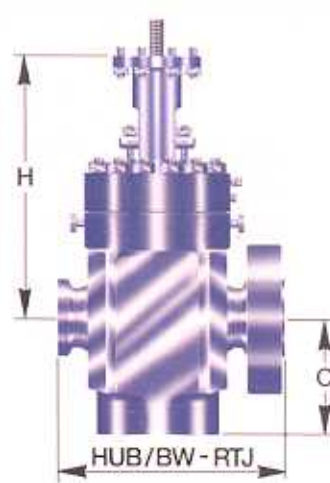
Trim components available in various and special materials for the most severe services.

FULL BORE

10.000 psi

SIZE	RTJ	HUB/BW	C	H	ØCC	DD	EE
1"13/16	406	406	165	500	500	590	810
2"1/16	435	435	185	560	500	650	840
2"9/16	480	480	205	625	500	715	900
3"1/16	508	508	240	685	600	790	1020
4"1/16	670	670	320	860	600	970	1160
5"1/8	835	835	400	1040	600	1100	1400
7"1/16	889	889	480	1120	700	1180	1940
9"	910	910	570	1180	700	1250	2100
11"	965	965	680	1220	700	1335	2200
13"5/8	*	*	*	*	*	*	*
16"3/4	*	*	*	*	*	*	*
18"3/4	*	*	*	*	*	*	*
21"1/4	*	*	*	*	*	*	*

6A



FULL BORE

15.000 psi

SIZE	RTJ	HUB/BW	C	H	ØCC	DD	EE
1"13/16	457	457	175	540	500	610	815
2"1/16	483	483	185	600	600	670	870
2"9/16	533	533	220	710	600	770	920
3"1/16	598	598	265	780	600	830	980
4"1/16	737	737	430	1090	800	1180	1250
5"1/8	*	*	*	*	*	*	*
7"1/16	*	*	*	*	*	*	*
9"	*	*	*	*	*	*	*
11"	*	*	*	*	*	*	*
13"5/8	*	*	*	*	*	*	*
16"3/4	*	*	*	*	*	*	*
18"3/4	*	*	*	*	*	*	*
21"1/4	*	*	*	*	*	*	*

FULL BORE

20.000 psi

SIZE	RTJ	HUB/BW	C	H	ØCC	DD	EE
1"13/16	533	533	-	620	600	690	820
2"1/16	584	584	-	695	600	750	900
2"9/16	673	673	-	730	800	785	1100
3"1/16	775	775	-	800	800	850	1250
4"1/16	889	889	-	880	800	970	1450
5"1/8	*	*	*	*	*	*	*
7"1/16	*	*	*	*	*	*	*
9"	*	*	*	*	*	*	*
11"	*	*	*	*	*	*	*
13"5/8	*	*	*	*	*	*	*
16"3/4	*	*	*	*	*	*	*
18"3/4	*	*	*	*	*	*	*
21"1/4	*	*	*	*	*	*	*

* Dimensions available upon request
 Dimensions in mm.

GATE